

## SkyLine PremiumS Electric Combi Oven 10GN1/1

ITEM # \_\_\_\_\_

MODEL # \_\_\_\_\_

NAME # \_\_\_\_\_

SIS # \_\_\_\_\_

AIA # \_\_\_\_\_


**217752 (ECOIE101T2A1)**

SkyLine PremiumS Combi Boiler Oven with touch screen control, 10x1/1GN, electric, 3 cooking modes (automatic, recipe program, manual), automatic cleaning, boiler in AISI 316

### Short Form Specification

#### Item No. \_\_\_\_\_

Combi oven with high resolution full touch screen interface, multilanguage

- Built-in steam generator (in s/s 316L) with real humidity control based upon Lambda Sensor
- OptiFlow air distribution system to achieve maximum performance with 7 fan speed levels
- SkyClean: Automatic and built-in self cleaning system with integrated descale of the steam generator. 5 automatic cycles (soft, medium, strong, extra strong, rinse-only) and green functions to save energy, water, detergent and rinse aid
- Cooking modes: Automatic (9 food families with 100+ different pre-installed variants); Programs (a maximum of 1000 recipes can be stored and organized in 16 different categories); Manual (steam, combi and convection cycles); Specialistic Cycles (regeneration, Low Temperature Cooking, proving, EcoDelta, Sous-Vide, Static-Combi, Pasteurization of pasta, dehydration, Food Safe Control and Advanced Food Safe Control)
- Special functions: MultiTimer cooking, Plan-n-Save to cut running costs, Make-it-Mine to customize interface, SkyHub to customize homepage, agenda MyPlanner, SkyDuo connection to SkyLine ChillerS, automatic backup mode to avoid downtime
- USB port to download HACCP data, programs and settings. Connectivity ready
- 6-point multi sensor core temperature probe
- Double glass door with LED lights
- Stainless steel construction throughout
- Supplied with n.1 tray rack 1/1GN, 67mm pitch

### Main Features

- High resolution full touch screen interface (translated in more than 30 languages) - color-blind friendly panel.
- Built-in steam generator for highly precise humidity and temperature control according to the chosen settings.
- Real humidity control based upon Lambda Sensor to automatically recognize quantity and size of food for consistent quality results.
- Dry, hot convection cycle (25 °C - 300 °C): ideal for low humidity cooking.
- Combination cycle (25 °C - 300 °C): combining convected heat and steam to obtain humidity controlled cooking environment, accelerating the cooking process and reducing weight loss.
- Low temperature Steam cycle (25 °C - 99 °C): ideal for sous-vide, re-thermalization and delicate cooking.  
 Steam cycle (100 °C): seafood and vegetables.  
 High temperature steam (25 °C - 130 °C).
- Automatic mode including 9 food families (meat, poultry, fish, vegetables, pasta/rice, eggs, savory and sweet bakery, bread, dessert) with 100+ different pre-installed variants. Through Automatic Sensing Phase the oven optimizes the cooking process according to size, quantity and type of food loaded to achieve the selected cooking result. Real time overview of the cooking parameters. Possibility to personalize and save up to 70 variants per family.
- Cycles+:
  - Regeneration (ideal for banqueting on plate or rethermalizing on tray),
  - Low Temperature Cooking (to minimize weight loss and maximize food quality) Patented US7750272B2 and related family,
  - Proving cycle,
  - EcoDelta cooking, cooking with food probe maintaining preset temperature difference between the core of the food and the cooking chamber,
  - Sous-vide cooking,
  - Static Combi (to reproduce traditional cooking from static oven),
  - Pasteurization of pasta,
  - Dehydration cycles (ideal for drying fruits, vegetables, meats, seafood),
  - Food Safe Control (to automatically monitor safety of cooking process in compliance with HACCP hygienic standards) Patented US6818865B2 and related family,
  - Advanced Food Safe Control (to drive the cooking with pasteurization factor).
- Programs mode: a maximum of 1000 recipes can be stored in the oven's memory, to recreate the exact same recipe at any time. The recipes can be group in 16 different categories to better organize the menu. 16-step cooking programs also available.
- MultiTimer function to manage up to 20 different cooking cycles at the same time, improving flexibility and ensuring excellent cooking results. Can be saved up to 200 MultiTimer programs.
- Fan with 7 speed levels from 300 to 1500 RPM and reverse rotation for optimal evenness. Fan stops in less than 5 seconds when door is opened.

**APPROVAL:** \_\_\_\_\_

- 6-point multi sensor core temperature probe for maximum precision and food safety.
- Pictures upload for full customization of cooking cycles.
- Automatic fast cool down and pre-heat function.
- Different chemical options available: solid (phosphate-free), liquid (requires optional accessory).
- Make-it-mine feature to allow full personalization or locking of the user interface.
- SkyHub lets the user group the favorite functions in the homepage for immediate access.
- MyPlanner works as an agenda where the user can plan the daily work and receive personalized alerts for each task.
- GreaseOut: predisposed for integrated grease drain and collection for safer operation (dedicated base as optional accessory).
- USB port to download HACCP data, share cooking programs and configurations. USB port also allows to plug-in sous-vide probe (optional accessory).
- Connectivity ready for real time access to connected appliances from remote and HACCP monitoring (requires optional accessory).
- Trainings and guidances supporting materials easily accessible by scanning QR-Code with any mobile device.
- Back-up mode with self-diagnosis is automatically activated if a failure occurs to avoid downtime.
- Automatic consumption visualization at the end of the cycle.
- Capacity: 10 GN 1/1 trays.
- Connectivity ready for real time access to connected appliances from remote and data monitoring (requires optional accessory - contact the Company for more details).
- OptiFlow air distribution system to achieve maximum performance in chilling/heating evenness and temperature control thanks to a special design of the chamber.

### Construction

- Double thermo-glazed door with open frame construction, for cool outside door panel. Swing hinged easy-release inner glass on door for easy cleaning.
- Seamless hygienic internal chamber with all rounded corners for easy cleaning.
- 304 AISI stainless steel construction throughout.
- Front access to control board for easy service.
- Integrated spray gun with automatic retracting system for fast rinsing.
- IPX 5 spray water protection certification for easy cleaning.
- Supplied with n.1 tray rack 1/1 GN, 67 mm pitch.

### Sustainability



- Human centered design with 4-star certification for ergonomics and usability.
- Wing-shaped handle with ergonomic design and hands-free opening with the elbow, making managing trays simpler. Protected by registered design (EM003143551 and related family).
- Reduced power function for customized slow cooking cycles.
- SkyClean: Automatic and built-in self cleaning system with integrated descale of the steam generator. 5 automatic cycles (soft, medium, strong, extra strong, rinse-only) and green functions to save energy, water, detergent and rinse aid. Also programmable with delayed start.
- Plan-n-Save function organizes the cooking sequence of the chosen cycles optimizing the work in the kitchen from a time and energy efficiency point of view.

- With SkyDuo the Oven and the Blast Chiller are connected to each other and communicate in order to guide the user through the cook&chill process optimizing time and efficiency (requires optional accessory).
- Energy Star 2.0 certified product.

### Optional Accessories

- |                                                                                                                                   |            |                          |
|-----------------------------------------------------------------------------------------------------------------------------------|------------|--------------------------|
| • External reverse osmosis filter for single tank Dishwashers with atmosphere boiler and Ovens                                    | PNC 864388 | <input type="checkbox"/> |
| • Water softener with cartridge and flow meter (high steam usage)                                                                 | PNC 920003 | <input type="checkbox"/> |
| • Water filter with cartridge and flow meter for 6 & 10 GN 1/1 ovens (low-medium steam usage - less than 2hrs per day full steam) | PNC 920004 | <input type="checkbox"/> |
| • Water softener with salt for ovens with automatic regeneration of resin                                                         | PNC 921305 | <input type="checkbox"/> |
| • Wheel kit for 6 & 10 GN 1/1 and 2/1 GN oven base (not for the disassembled one)                                                 | PNC 922003 | <input type="checkbox"/> |
| • Pair of AISI 304 stainless steel grids, GN 1/1                                                                                  | PNC 922017 | <input type="checkbox"/> |
| • Pair of grids for whole chicken (8 per grid - 1,2kg each), GN 1/1                                                               | PNC 922036 | <input type="checkbox"/> |
| • AISI 304 stainless steel grid, GN 1/1                                                                                           | PNC 922062 | <input type="checkbox"/> |
| • Grid for whole chicken (4 per grid - 1,2kg each), GN 1/2                                                                        | PNC 922086 | <input type="checkbox"/> |
| • External side spray unit (needs to be mounted outside and includes support to be mounted on the oven)                           | PNC 922171 | <input type="checkbox"/> |
| • Baking tray for 5 baguettes in perforated aluminum with silicon coating, 400x600x38mm                                           | PNC 922189 | <input type="checkbox"/> |
| • Baking tray with 4 edges in perforated aluminum, 400x600x20mm                                                                   | PNC 922190 | <input type="checkbox"/> |
| • Baking tray with 4 edges in aluminum, 400x600x20mm                                                                              | PNC 922191 | <input type="checkbox"/> |
| • Pair of frying baskets                                                                                                          | PNC 922239 | <input type="checkbox"/> |
| • AISI 304 stainless steel bakery/pastry grid 400x600mm                                                                           | PNC 922264 | <input type="checkbox"/> |
| • Double-step door opening kit                                                                                                    | PNC 922265 | <input type="checkbox"/> |
| • Grid for whole chicken (8 per grid - 1,2kg each), GN 1/1                                                                        | PNC 922266 | <input type="checkbox"/> |
| • USB probe for sous-vide cooking                                                                                                 | PNC 922281 | <input type="checkbox"/> |
| • Grease collection tray, GN 1/1, H=100 mm                                                                                        | PNC 922321 | <input type="checkbox"/> |
| • Kit universal skewer rack and 4 long skewers for Lengthwise ovens                                                               | PNC 922324 | <input type="checkbox"/> |
| • Universal skewer rack                                                                                                           | PNC 922326 | <input type="checkbox"/> |
| • 4 long skewers                                                                                                                  | PNC 922327 | <input type="checkbox"/> |
| • Multipurpose hook                                                                                                               | PNC 922348 | <input type="checkbox"/> |
| • 4 flanged feet for 6 & 10 GN , 2", 100-130mm                                                                                    | PNC 922351 | <input type="checkbox"/> |
| • Grid for whole duck (8 per grid - 1,8kg each), GN 1/1                                                                           | PNC 922362 | <input type="checkbox"/> |
| • Thermal cover for 10 GN 1/1 oven and blast chiller freezer                                                                      | PNC 922364 | <input type="checkbox"/> |
| • Tray support for 6 & 10 GN 1/1 disassembled open base                                                                           | PNC 922382 | <input type="checkbox"/> |
| • Wall mounted detergent tank holder                                                                                              | PNC 922386 | <input type="checkbox"/> |
| • USB single point probe                                                                                                          | PNC 922390 | <input type="checkbox"/> |

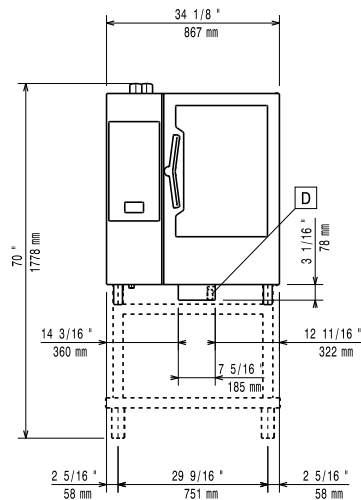
- |                                                                                                                                    |            |                          |                                                                                                                         |            |                          |
|------------------------------------------------------------------------------------------------------------------------------------|------------|--------------------------|-------------------------------------------------------------------------------------------------------------------------|------------|--------------------------|
| • IoT module for SkyLine ovens and blast chiller/freezers                                                                          | PNC 922421 | <input type="checkbox"/> | • Reinforced tray rack with wheels, lowest support dedicated to a grease collection tray for 10 GN 1/1 oven, 64mm pitch | PNC 922694 | <input type="checkbox"/> |
| • Tray rack with wheels 10 GN 1/1, 65mm pitch                                                                                      | PNC 922601 | <input type="checkbox"/> | • Detergent tank holder for open base                                                                                   | PNC 922699 | <input type="checkbox"/> |
| • Tray rack with wheels, 8 GN 1/1, 80mm pitch                                                                                      | PNC 922602 | <input type="checkbox"/> | • Bakery/pastry runners 400x600mm for 6 & 10 GN 1/1 oven base                                                           | PNC 922702 | <input type="checkbox"/> |
| • Bakery/pastry tray rack with wheels holding 400x600mm grids for 10 GN 1/1 oven and blast chiller freezer, 80mm pitch (8 runners) | PNC 922608 | <input type="checkbox"/> | • Wheels for stacked ovens                                                                                              | PNC 922704 | <input type="checkbox"/> |
| • Slide-in rack with handle for 6 & 10 GN 1/1 oven                                                                                 | PNC 922610 | <input type="checkbox"/> | • Spit for lamb or suckling pig (up to 12kg) for GN 1/1 ovens                                                           | PNC 922709 | <input type="checkbox"/> |
| • Open base with tray support for 6 & 10 GN 1/1 oven                                                                               | PNC 922612 | <input type="checkbox"/> | • Mesh grilling grid, GN 1/1                                                                                            | PNC 922713 | <input type="checkbox"/> |
| • Cupboard base with tray support for 6 & 10 GN 1/1 oven                                                                           | PNC 922614 | <input type="checkbox"/> | • Probe holder for liquids                                                                                              | PNC 922714 | <input type="checkbox"/> |
| • Hot cupboard base with tray support for 6 & 10 GN 1/1 oven holding GN 1/1 or 400x600mm trays                                     | PNC 922615 | <input type="checkbox"/> | • Odour reduction hood with fan for 6 & 10 GN 1/1 electric ovens                                                        | PNC 922718 | <input type="checkbox"/> |
| • External connection kit for liquid detergent and rinse aid                                                                       | PNC 922618 | <input type="checkbox"/> | • Odour reduction hood with fan for 6+6 or 6+10 GN 1/1 electric ovens                                                   | PNC 922722 | <input type="checkbox"/> |
| • Grease collection kit for GN 1/1-2/1 cupboard base (trolley with 2 tanks, open/close device for drain)                           | PNC 922619 | <input type="checkbox"/> | • Condensation hood with fan for 6 & 10 GN 1/1 electric oven                                                            | PNC 922723 | <input type="checkbox"/> |
| • Stacking kit for 6+6 GN 1/1 ovens on electric 6+10 GN 1/1 GN ovens                                                               | PNC 922620 | <input type="checkbox"/> | • Condensation hood with fan for stacking 6+6 or 6+10 GN 1/1 electric ovens                                             | PNC 922727 | <input type="checkbox"/> |
| • Trolley for slide-in rack for 6 & 10 GN 1/1 oven and blast chiller freezer                                                       | PNC 922626 | <input type="checkbox"/> | • Exhaust hood with fan for 6 & 10 GN 1/1 ovens                                                                         | PNC 922728 | <input type="checkbox"/> |
| • Trolley for mobile rack for 6 GN 1/1 on 6 or 10 GN 1/1 ovens                                                                     | PNC 922630 | <input type="checkbox"/> | • Exhaust hood with fan for stacking 6+6 or 6+10 GN 1/1 ovens                                                           | PNC 922732 | <input type="checkbox"/> |
| • Stainless steel drain kit for 6 & 10 GN oven, dia=50mm                                                                           | PNC 922636 | <input type="checkbox"/> | • Exhaust hood without fan for 6&10 1/1GN ovens                                                                         | PNC 922733 | <input type="checkbox"/> |
| • Plastic drain kit for 6 & 10 GN oven, dia=50mm                                                                                   | PNC 922637 | <input type="checkbox"/> | • Exhaust hood without fan for stacking 6+6 or 6+10 GN 1/1 ovens                                                        | PNC 922737 | <input type="checkbox"/> |
| • Trolley with 2 tanks for grease collection                                                                                       | PNC 922638 | <input type="checkbox"/> | • Fixed tray rack, 8 GN 1/1, 85mm pitch                                                                                 | PNC 922741 | <input type="checkbox"/> |
| • Grease collection kit for GN 1/1-2/1 open base (2 tanks, open/close device for drain)                                            | PNC 922639 | <input type="checkbox"/> | • Fixed tray rack, 8 GN 2/1, 85mm pitch                                                                                 | PNC 922742 | <input type="checkbox"/> |
| • Wall support for 10 GN 1/1 oven                                                                                                  | PNC 922645 | <input type="checkbox"/> | • 4 high adjustable feet for 6 & 10 GN ovens, 230-290mm                                                                 | PNC 922745 | <input type="checkbox"/> |
| • Banquet rack with wheels holding 30 plates for 10 GN 1/1 oven and blast chiller freezer, 65mm pitch                              | PNC 922648 | <input type="checkbox"/> | • Tray for traditional static cooking, H=100mm                                                                          | PNC 922746 | <input type="checkbox"/> |
| • Banquet rack with wheels 23 plates for 10 GN 1/1 oven and blast chiller freezer, 85mm pitch                                      | PNC 922649 | <input type="checkbox"/> | • Double-face griddle, one side ribbed and one side smooth, 400x600mm                                                   | PNC 922747 | <input type="checkbox"/> |
| • Dehydration tray, GN 1/1, H=20mm                                                                                                 | PNC 922651 | <input type="checkbox"/> | • Trolley for grease collection kit                                                                                     | PNC 922752 | <input type="checkbox"/> |
| • Flat dehydration tray, GN 1/1                                                                                                    | PNC 922652 | <input type="checkbox"/> | • Water inlet pressure reducer                                                                                          | PNC 922773 | <input type="checkbox"/> |
| • Open base for 6 & 10 GN 1/1 oven, disassembled - NO accessory can be fitted with the exception of 922382                         | PNC 922653 | <input type="checkbox"/> | • Kit for installation of electric power peak management system for 6 & 10 GN Oven                                      | PNC 922774 | <input type="checkbox"/> |
| • Bakery/pastry rack kit for 10 GN 1/1 oven with 8 racks 400x600mm and 80mm pitch                                                  | PNC 922656 | <input type="checkbox"/> | • Extension for condensation tube, 37cm                                                                                 | PNC 922776 | <input type="checkbox"/> |
| • Heat shield for stacked ovens 6 GN 1/1 on 10 GN 1/1                                                                              | PNC 922661 | <input type="checkbox"/> | • Non-stick universal pan, GN 1/1, H=20mm                                                                               | PNC 925000 | <input type="checkbox"/> |
| • Heat shield for 10 GN 1/1 oven                                                                                                   | PNC 922663 | <input type="checkbox"/> | • Non-stick universal pan, GN 1/1, H=40mm                                                                               | PNC 925001 | <input type="checkbox"/> |
| • Fixed tray rack for 10 GN 1/1 and 400x600mm grids                                                                                | PNC 922685 | <input type="checkbox"/> | • Non-stick universal pan, GN 1/1, H=60mm                                                                               | PNC 925002 | <input type="checkbox"/> |
| • Kit to fix oven to the wall                                                                                                      | PNC 922687 | <input type="checkbox"/> | • Double-face griddle, one side ribbed and one side smooth, GN 1/1                                                      | PNC 925003 | <input type="checkbox"/> |
| • Tray support for 6 & 10 GN 1/1 oven base                                                                                         | PNC 922690 | <input type="checkbox"/> | • Aluminum grill, GN 1/1                                                                                                | PNC 925004 | <input type="checkbox"/> |
| • 4 adjustable feet with black cover for 6 & 10 GN ovens, 100-115mm                                                                | PNC 922693 | <input type="checkbox"/> | • Frying pan for 8 eggs, pancakes, hamburgers, GN 1/1                                                                   | PNC 925005 | <input type="checkbox"/> |
|                                                                                                                                    |            |                          | • Flat baking tray with 2 edges, GN 1/1                                                                                 | PNC 925006 | <input type="checkbox"/> |
|                                                                                                                                    |            |                          | • Baking tray for 4 baguettes, GN 1/1                                                                                   | PNC 925007 | <input type="checkbox"/> |
|                                                                                                                                    |            |                          | • Potato baker for 28 potatoes, GN 1/1                                                                                  | PNC 925008 | <input type="checkbox"/> |
|                                                                                                                                    |            |                          | • Non-stick universal pan, GN 1/2, H=20mm                                                                               | PNC 925009 | <input type="checkbox"/> |
|                                                                                                                                    |            |                          | • Non-stick universal pan, GN 1/2, H=40mm                                                                               | PNC 925010 | <input type="checkbox"/> |

- Non-stick universal pan, GN 1/2, H=60mm PNC 925011
- Compatibility kit for installation on previous base GN 1/1 PNC 930217

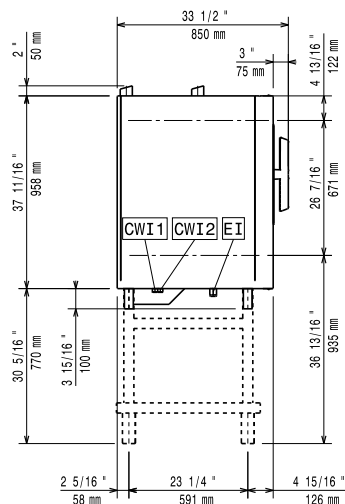
### Recommended Detergents

- C25 Rinse & Descale tab 2in1 rinse aid and descaler in disposable tablets for Skyline ovens Professional 2in1 rinse aid and descaler in disposable tablets for new generation ovens with automatic washing system. Suitable for all types of water. Packaging: 1 drum of 50 30g tablets. each PNC 0S2394
- C22 Cleaning Tab Disposable detergent tablets for SkyLine ovens Professional detergent for new generation ovens with automatic washing system. Suitable for all types of water. Packaging: 1 drum of 100 65g tablets. each PNC 0S2395

Front

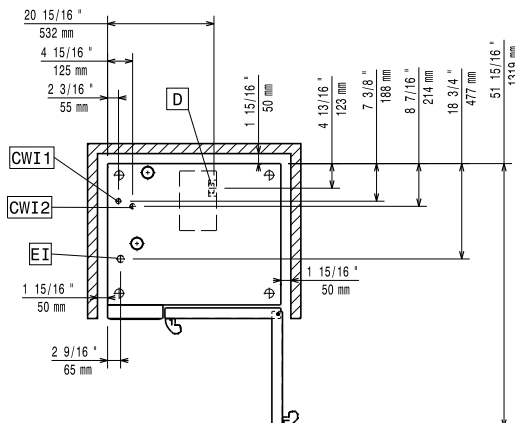


Side



CWI1 = Cold Water inlet 1 (cleaning)      EI = Electrical inlet (power)  
 CWI2 = Cold Water Inlet 2 (steam generator)  
 D = Drain  
 DO = Overflow drain pipe

Top



### Electric

#### Supply voltage:

217752 (ECOIE10T2A1) 380-415 V/3N ph/50-60 Hz

#### Electrical power, default:

19 kW

Default power corresponds to factory test conditions.

When supply voltage is declared as a range the test is performed at the average value. According to the country, the installed power may vary within the range.

#### Electrical power max.:

20.3 kW

#### Circuit breaker required

### Water:

#### Water inlet connections "CWI1-CWI2":

3/4"

#### Pressure, bar min/max:

1-6 bar

#### Drain "D":

50mm

#### Max inlet water supply temperature:

30 °C

#### Chlorides:

<20 ppm

#### Conductivity:

>50 µS/cm

**Electrolux Professional** recommends the use of treated water, based on testing of specific water conditions.

Please refer to user manual for detailed water quality information.

### Installation:

#### Clearance:

Clearance: 5 cm rear and right hand sides.

#### Suggested clearance for service access:

50 cm left hand side.

### Capacity:

#### Trays type:

10 - 1/1 Gastronorm

#### Max load capacity:

50 kg

### Key Information:

#### Door hinges:

External dimensions, Width: 867 mm

External dimensions, Depth: 775 mm

External dimensions, Height: 1058 mm

#### Net weight:

141 kg

#### Shipping weight:

159 kg

#### Shipping volume:

1.11 m<sup>3</sup>

### ISO Certificates

#### ISO Standards:

ISO 9001; ISO 14001; ISO 45001; ISO 50001